



# PRODUCT

Catalog

**PALTOP**  
A KeystoneDentalGroup Brand

---

<b>01</b>	<b>Surgery</b>	<b>4</b>
<b>02</b>	<b>Prosthetics</b>	<b>16</b>
<b>03</b>	<b>Instruments</b>	<b>62</b>
<b>04</b>	<b>Accessories</b>	<b>82</b>
<b>05</b>	<b>Index</b>	<b>92</b>

---



# 01 Surgery



## Internal Hex Connection

<b>01.01</b>	Advanced+	<b>6</b>
<b>01.02</b>	Dynamic	<b>7</b>
<b>01.03</b>	Paltop Active Implant (PAI)	<b>8</b>
<b>01.04</b>	Paltop Active Implant (PAI) Total Coverage	<b>9</b>
<b>01.05</b>	Internal Hex Healing Abutments	<b>10</b>



## Conical Connection

<b>01.06</b>	Dynamic Conical	<b>12</b>
<b>01.07</b>	Dynamic Conical MC	<b>13</b>
<b>01.08</b>	Paltop Conical Active (PCA)	<b>14</b>
<b>01.09</b>	Conical Healing Abutments	<b>15</b>



# 01.01 Advanced+ Implants



Platform	Narrow			
Diameter	Ø3.0			
Length	10.0 mm	11.5 mm	13.0 mm	16.0 mm
SKU	20-70034P	20-70035P	20-70036P	20-70037P



Platform	Narrow			
Diameter	Ø3.25			
Length	10.0 mm	11.5 mm	13.0 mm	16.0 mm
SKU	20-70018P	20-70019P	20-70020P	20-70021P



Platform	Standard				
Diameter	Ø3.75				
Length	8.0 mm	10.0 mm	11.5 mm	13.0 mm	16.0 mm
SKU	20-70017P	20-70001P	20-70002P	20-70003P	20-70004P



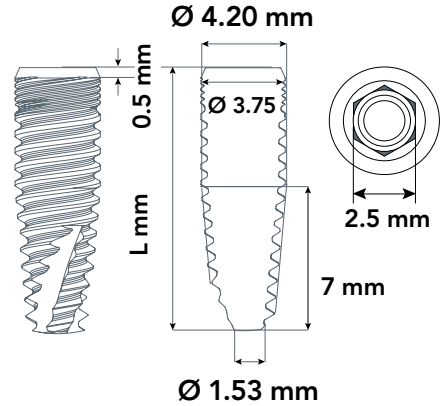
Platform	Standard					
Diameter	Ø4.2					
Length	6.0 mm	8.0 mm	10.0 mm	11.5 mm	13.0 mm	16.0 mm
SKU	20-70005P	20-70006P	20-70007P	20-70008P	20-70009P	20-70010P



Platform	Standard					
Diameter	Ø5.0					
Length	6.0 mm	8.0 mm	10.0 mm	11.5 mm	13.0 mm	16.0 mm
SKU	20-70011P	20-70012P	20-70013P	20-70014P	20-70015P	20-70016P



Platform	Wide					
Diameter	Ø6.0					
Length	6.0 mm	8.0 mm	10.0 mm	11.5 mm	13.0 mm	16.0 mm
SKU	20-70022P	20-70023P	20-70024P	20-70025P	20-70026P	20-70027P



Implant Example Shown: Ø 4.20 x 11.5 mm



Platform	NP(Ø3.0)	NP(Ø3.25)	SP	WP
Type	Cover Screw			
Ref	80-70100	80-70007	80-70001	80-70029



Type	Ø1.25 Manual Driver		
Length	9.0 mm	14.0 mm	23.0 mm
Ref	60-70005	60-70006	60-70159

## 01.02 Dynamic Implants



Platform	Narrow			
Diameter	Ø3.0			
Length	10.0 mm	11.5 mm	13.0 mm	16.0 mm
SKU	21-70034	21-70035	21-70036	21-70037



Platform	Narrow			
Diameter	Ø3.25			
Length	10.0 mm	11.5 mm	13.0 mm	16.0 mm
SKU	21-70018	21-70019	21-70020	21-70021



Platform	Standard				
Diameter	Ø3.75				
Length	8.0 mm	10.0 mm	11.5 mm	13.0 mm	16.0 mm
SKU	21-70017	21-70001	21-70002	21-70003	21-70004



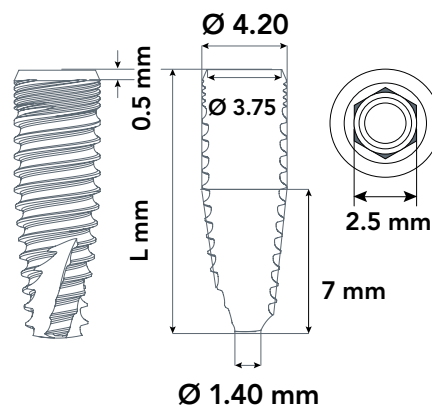
Platform	Standard					
Diameter	Ø4.2					
Length	6.0 mm	8.0 mm	10.0 mm	11.5 mm	13.0 mm	16.0 mm
SKU	21-70005	21-70006	21-70007	21-70008	21-70009	21-70010



Platform	Standard					
Diameter	Ø5.0					
Length	6.0 mm	8.0 mm	10.0 mm	11.5 mm	13.0 mm	16.0 mm
SKU	21-70011	21-70012	21-70013	21-70014	21-70015	21-70016



Platform	Wide					
Diameter	Ø6.0					
Length	6.0 mm	8.0 mm	10.0 mm	11.5 mm	13.0 mm	16.0 mm
SKU	21-70022	21-70023	21-70024	21-70025	21-70026	21-70027



Implant Example Shown: Ø 4.20 x 11.5 mm



Platform	NP(Ø3.0)	NP(Ø3.25)	SP	WP
Type	Cover Screw			
Ref	80-70100	80-70007	80-70001	80-70029



Type	Ø1.25 Manual Driver		
Length	9.0 mm	14.0 mm	23.0 mm
Ref	60-70005	60-70006	60-70159

Surgery

Prosthetics

Instruments

Accessories

Index

Surgery

### 01.03 Paltop Active Implant (PAI)



Platform	Narrow			
Diameter	Ø3.25			
Length	10.0 mm	11.5 mm	13.0 mm	16.0 mm
SKU	29-70018	29-70019	29-70020	29-70021

Prosthetics



Platform	Standard				
Diameter	Ø3.75				
Length	8.0 mm	10.0 mm	11.5 mm	13.0 mm	16.0 mm
SKU	29-70017	29-70001	29-70002	29-70003	29-70004

Instruments



Platform	Standard					
Diameter	Ø4.2					
Length	6.0 mm	8.0 mm	10.0 mm	11.5 mm	13.0 mm	16.0 mm
SKU	29-70005	29-70006	29-70007	29-70008	29-70009	29-70010

Accessories

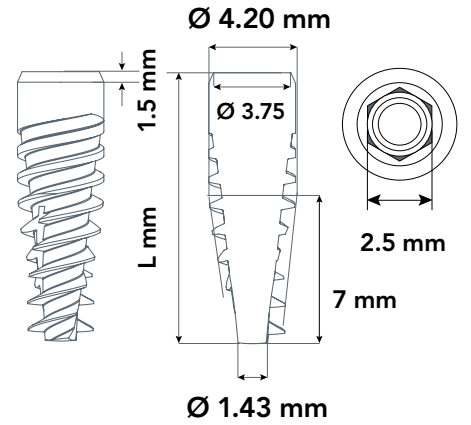


Platform	Standard					
Diameter	Ø5.0					
Length	6.0 mm	8.0 mm	10.0 mm	11.5 mm	13.0 mm	16.0 mm
SKU	29-70011	29-70012	29-70013	29-70014	29-70015	29-70016

Index



Platform	Wide					
Diameter	Ø6.0					
Length	6.0 mm	8.0 mm	10.0 mm	11.5 mm	13.0 mm	16.0 mm
SKU	29-70022	29-70023	29-70024	29-70025	29-70026	29-70027



Implant Example Shown: Ø 4.20 x 11.5 mm



Platform	NP	SP	WP
Type	Cover Screw		
Ref	80-70007	80-70001	80-70029



Type	Ø1.25 Manual Driver		
Length	9.0 mm	14.0 mm	23.0 mm
Ref	60-70005	60-70006	60-70159



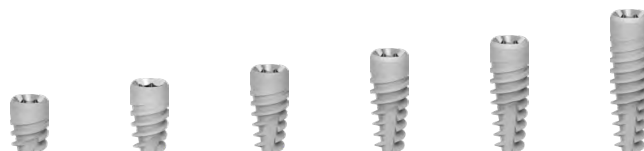
## 01.04 Paltop Active Implant (PAI) Total Coverage



Platform	Narrow			
Diameter	Ø3.25			
Length	10.0 mm	11.5 mm	13.0 mm	16.0 mm
SKU	29-70018TC	29-70019TC	29-70020TC	29-70021TC



Platform	Standard				
Diameter	Ø3.75				
Length	8.0 mm	10.0 mm	11.5 mm	13.0 mm	16.0 mm
SKU	29-70017TC	29-70001TC	29-70002TC	29-70003TC	29-70004TC



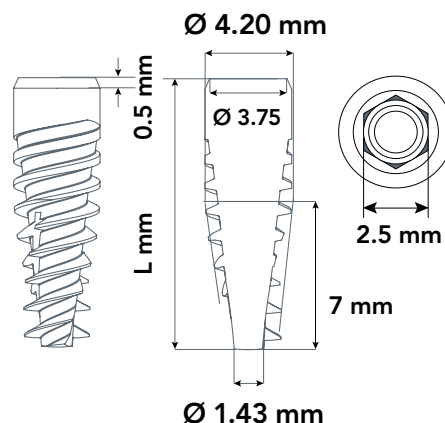
Platform	Standard					
Diameter	Ø4.2					
Length	6.0 mm	8.0 mm	10.0 mm	11.5 mm	13.0 mm	16.0 mm
SKU	29-70005TC	29-70006TC	29-70007TC	29-70008TC	29-70009TC	29-70010TC



Platform	Standard					
Diameter	Ø5.0					
Length	6.0 mm	8.0 mm	10.0 mm	11.5 mm	13.0 mm	16.0 mm
SKU	29-70011TC	29-70012TC	29-70013TC	29-70014TC	29-70015TC	29-70016TC



Platform	Wide					
Diameter	Ø6.0					
Length	6.0 mm	8.0 mm	10.0 mm	11.5 mm	13.0 mm	16.0 mm
SKU	29-70022TC	29-70023TC	29-70024TC	29-70025TC	29-70026TC	29-70027TC



Implant Example Shown: Ø 4.20 x 11.5 mm

Platform	NP	SP	WP
Type	Cover Screw		
Ref	80-70007	80-70001	80-70029

Type	Ø1.25 Manual Driver		
Length	9.0 mm	14.0 mm	23.0 mm
Ref	60-70005	60-70006	60-70159

Surgery

Prosthetics

Instruments

Accessories

Index

# 01.05 Internal Hex Healing Abutments


Surgery

Prosthetics

Instruments

Accessories

Index



Platform	Narrow												Narrow		
Diameter	Ø3.0						Ø4.0						Ø4.0		
Type	Concave												Straight		
Cuff	1.0 mm	2.0 mm	3.0 mm	4.0 mm	5.0 mm	1.0 mm	2.0 mm	3.0 mm	4.0 mm	5.0 mm	6.0 mm	7.0 mm	2.0 mm	3.0 mm	5.0 mm
SKU	55-70046	55-70047	55-70048	55-70049	55-70050	55-70009	55-70010	55-70011	55-70014	55-70015	55-70018	55-70019	55-70028	55-70029	55-70030



Platform	Standard							Standard		
Diameter	Ø4.5							Ø4.5		
Type	Concave							Straight		
Cuff	1.0 mm	2.0 mm	3.0 mm	4.0 mm	5.0 mm	6.0 mm	7.0 mm	2.0 mm	3.0 mm	5.0 mm
SKU	55-70003	55-70001	55-70004	55-70002	55-70013	55-70020	55-70021	55-70025	55-70026	55-70027



Platform	Standard					Standard			Standard		
Diameter	Ø5.5					Ø5.5			Ø6.5		
Type	Concave					Straight Flared			Wide Profile Concave		
Cuff	1.0 mm	2.0 mm	3.0 mm	4.0 mm	5.0 mm	2.0 mm	3.0 mm	5.0 mm	3.0 mm	4.0 mm	5.0 mm
SKU	55-70005	55-70006	55-70007	55-70008	55-70016	55-70034	55-70035	55-70036	55-70060	55-70061	55-70062



Platform	Wide			Wide		
Diameter	Ø6.5			Ø6.5		
Type	Concave			Straight Flared		
Cuff	2.0 mm	4.0 mm	6.0 mm	2.0 mm	4.0 mm	6.0 mm
SKU	55-70022	55-70023	55-70024	55-70031	55-70032	55-70033



## 01.06 Dynamic Conical Implants

Surgery

Prosthetics

Instruments

Accessories

Index



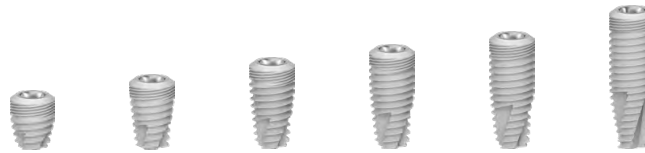
Platform	Conical			
Diameter	Ø3.25			
Length	10.0 mm	11.5 mm	13.0 mm	16.0 mm
SKU	24-70018	24-70019	24-70020	24-70021



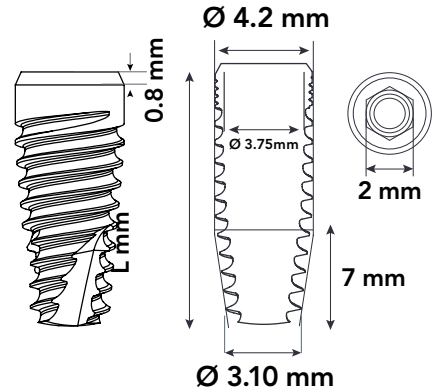
Platform	Conical				
Diameter	Ø3.75				
Length	8.0 mm	10.0 mm	11.5 mm	13.0 mm	16.0 mm
SKU	24-70017	24-70001	24-70002	24-70003	24-70004



Platform	Conical					
Diameter	Ø4.2					
Length	6.0 mm	8.0 mm	10.0 mm	11.5 mm	13.0 mm	16.0 mm
SKU	24-70005	24-70006	24-70007	24-70008	24-70009	24-70010



Platform	Conical					
Diameter	Ø5.0					
Length	6.0 mm	8.0 mm	10.0 mm	11.5 mm	13.0 mm	16.0 mm
SKU	24-70011	24-70012	24-70013	24-70014	24-70015	24-70016



Implant Example Shown: Ø 4.20 x 11.5 mm



Platform	Conical
Type	Cover Screw
Ref	80-70016



Type	Ø1.25 Manual Driver		
Length	9.0 mm	14.0 mm	23.0 mm
Ref	60-70005	60-70006	60-70159

## 01.07 Dynamic Conical MC Implants



Platform	Conical			
Diameter	Ø3.25			
Length	10.0 mm	11.5 mm	13.0 mm	16.0 mm
SKU	24-70018MC	24-70019MC	24-70020MC	24-70021MC



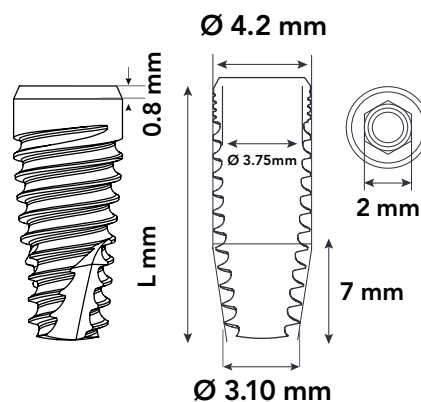
Platform	Conical				
Diameter	Ø3.75				
Length	8.0 mm	10.0 mm	11.5 mm	13.0 mm	16.0 mm
SKU	24-70017MC	24-70001MC	24-70002MC	24-70003MC	24-70004MC



Platform	Conical					
Diameter	Ø4.2					
Length	6.0 mm	8.0 mm	10.0 mm	11.5 mm	13.0 mm	16.0 mm
SKU	24-70005MC	24-70006MC	24-70007MC	24-70008MC	24-70009MC	24-70010MC



Platform	Conical						
Diameter	Ø5.0						
Length	6.0 mm	8.0 mm	10.0 mm	11.5 mm	13.0 mm	16.0 mm	
SKU	24-70011MC	24-70012MC	24-70013MC	24-70014MC	24-70015MC	24-70016MC	



Implant Example Shown: Ø 4.20 x 11.5 mm



Platform	Conical
Type	Cover Screw
Ref	80-70016



Type	Ø1.25 Manual Driver		
Length	9.0 mm	14.0 mm	23.0 mm
Ref	60-70005	60-70006	60-70159

Surgery

Prosthetics

Instruments

Accessories

Index

Surgery

# 01.08 Paltop Conical Active (PCA) Implants

Prosthetics



Platform	Conical			
Diameter	Ø3.25			
Length	10.0 mm	11.5 mm	13.0 mm	16.0 mm
SKU	22-70018	22-70019	22-70020	22-70021

Instruments



Platform	Conical				
Diameter	Ø3.75				
Length	8.0 mm	10.0 mm	11.5 mm	13.0 mm	16.0 mm
SKU	22-70017	22-70001	22-70002	22-70003	22-70004

Accessories

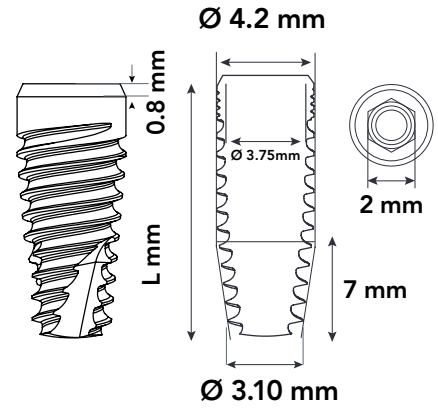


Platform	Conical					
Diameter	Ø4.2					
Length	6.0 mm	8.0 mm	10.0 mm	11.5 mm	13.0 mm	16.0 mm
SKU	22-70005	22-70006	22-70007	22-70008	22-70009	22-70010

Index



Platform	Conical					
Diameter	Ø5.0					
Length	6.0 mm	8.0 mm	10.0 mm	11.5 mm	13.0 mm	16.0 mm
SKU	22-70011	22-70012	22-70013	22-70014	22-70015	22-70016



Implant Example Shown: Ø 4.20 x 11.5 mm



Platform	Conical
Type	Cover Screw
Ref	80-70016



Type	Ø1.25 Manual Driver		
Length	9.0 mm	14.0 mm	23.0 mm
Ref	60-70005	60-70006	60-70159

## 01.09 Conical Healing Abutments



Platform	Conical					Conical				
Diameter	Ø4.5					Ø6.0				
Type	Concave					Concave				
Cuff	2.0 mm	3.0 mm	4.0 mm	5.0 mm	7.0 mm	2.0 mm	3.0 mm	4.0 mm	5.0 mm	7.0 mm
SKU	55-72042	55-72043	55-72044	55-72045	55-72047	55-72062	55-72063	55-72064	55-72065	55-72067



Platform	Conical	Conical		
Diameter	Ø3.0	Ø4.5		
Type	Straight	Straight		
Cuff	2.0 mm	2.0 mm	3.0 mm	5.0 mm
SKU	55-72006	55-72002	55-72003	55-72005

Surgery

Prosthetics

Instruments

Accessories

Index

# 02 Prosthetics



## Internal Hex Connection - Legacy

02.01	Titanium Temporary Abutments	18
02.02	Titanium Temporary Abutments, Immediate	19
02.03	PEEK Temporary Abutments	20
02.04	Castable Abutments	21
02.05	Impression Coping and Implant Analogs	22
02.06	Scan Bodies and DIM Analogs	23
02.07	Titanium Straight Abutments	24
02.08	Titanium Angulated Abutments	25
02.09	Titanium Base Abutments Round, H4.0 mm	26
02.10	Titanium Base Abutments Round, H6.0 mm	27
02.11	Titanium Base Abutments Anterior	28
02.12	Angulation Correction System (ACS)	29
02.13	Snap-On Abutment System (SAS)	30
02.14	Ball Abutments and Components	31
02.15	LOCATOR® Abutments	32
02.16	Prosthetic Drivers and Screws	33



## Internal Hex Connection - Premium

02.17	Premium Multi-Unit Abutments	33
02.18	Premium Multi-Unit Components	34
02.19	Premium Scan Bodies and DIM Analogs	35
02.20	Premium TiBase Abutments	36
02.21	Premium ANGLEBase® Abutments	37
02.22	Premium Ti-Blanks	38



**Conical Connection - Legacy**

<b>02.23</b>	Titanium Temporary Abutments	<b>40</b>
<b>02.24</b>	Titanium Temporary Abutments, Immediate	<b>41</b>
<b>02.25</b>	Castable Abutments	<b>42</b>
<b>02.26</b>	Impression Coping and Implant Analog	<b>43</b>
<b>02.27</b>	Scan Bodies and DIM Analogs	<b>44</b>
<b>02.28</b>	Titanium Straight Abutments	<b>45</b>
<b>02.29</b>	Titanium Angulated Abutments	<b>46</b>
<b>02.30</b>	Titanium Base Abutments Round, H4.0 mm	<b>47</b>
<b>02.31</b>	Titanium Base Abutments Round, H6.0 mm	<b>48</b>
<b>02.32</b>	Titanium Base Abutments Anterior	<b>49</b>
<b>02.33</b>	Angulation Correction System (ACS)	<b>50</b>
<b>02.34</b>	Snap-On Abutment System (SAS)	<b>51</b>
<b>02.35</b>	Ball Abutments and Components	<b>52</b>
<b>02.36</b>	LOCATOR® Abutments	<b>53</b>
<b>02.37</b>	Prosthetic Drivers and Screws	<b>54</b>




**Conical Connection - Premium**

<b>02.38</b>	Premium Multi-Unit Abutments	<b>55</b>
<b>02.39</b>	Premium Multi-Unit Components	<b>56</b>
<b>02.40</b>	Premium Scan Bodies and DIM Analogs	<b>57</b>
<b>02.41</b>	Premium TiBase Abutments	<b>58</b>
<b>02.42</b>	Premium ANGLEBase® Abutments	<b>59</b>
<b>02.43</b>	Premium Ti-Blanks	<b>60</b>

## 02.01 Titanium Temporary Abutments




Surgery

Prosthetics




Type	Engage			Non-Engaging		
Platform	Narrow			Narrow		
Cuff	0.5 mm	2.0 mm	3.0 mm	0.5 mm	2.0 mm	3.0 mm
Height	10.0 mm	10.0 mm	10.0 mm	10.0 mm	10.0 mm	10.0 mm
SKU	45-70031	45-70055	45-70057	45-70032	45-70056	45-70058

Instruments

Type	Engage			Non-Engaging		
Platform	Standard			Standard		
Cuff	0.5 mm	2.0 mm	3.0 mm	0.5 mm	2.0 mm	3.0 mm
Height	10.0 mm	10.0 mm	10.0 mm	10.0 mm	10.0 mm	10.0 mm
SKU	45-70029	45-70051	45-70053	45-70030	45-70052	45-70054

Accessories

Type	Engage			Non-Engaging		
Platform	Wide			Wide		
Cuff	0.5 mm	2.0 mm	3.0 mm	0.5 mm	2.0 mm	3.0 mm
Height	10.0 mm	10.0 mm	10.0 mm	10.0 mm	10.0 mm	10.0 mm
SKU	45-70042	45-70059	45-70061	45-70043	45-70060	45-70062

Index

## 02.02 Titanium Temporary Abutments, Immediate



Type	Immediate	
Platform	Narrow	
Cuff	1.5 mm	3.0 mm
Height	10.0 mm	10.0 mm
SKU	45-70036	45-70038



Type	Immediate		
Platform	Standard		
Diameter	Ø4.3		Ø5.7
Cuff	1.5 mm	3.0 mm	3.0 mm
Height	10.0 mm	10.0 mm	10.0 mm
SKU	45-70033	45-70035	45-70050



Type	Immediate	
Platform	Wide	
Diameter	Ø4.3	
Cuff	1.5 mm	3.0 mm
Height	10.0 mm	10.0 mm
SKU	45-70048	45-70049



Type	Hex Driver for Ratchet
SKU	60-70244

## 02.03 PEEK Temporary Abutments

Surgery

Prosthetics

Instruments

Accessories

Index

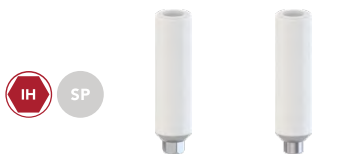


Platform	Standard			Standard		
Diameter	Ø4.5			Ø4.5		
Angle	Straight			15°		
Cuff	1.0 mm	2.0 mm	3.0 mm	1.0 mm	2.0 mm	3.0 mm
Height	8.0 mm	8.0 mm	8.0 mm	8.0 mm	8.0 mm	8.0 mm
SKU	45-70001	45-70002	45-70003	45-70006	45-70007	45-70008

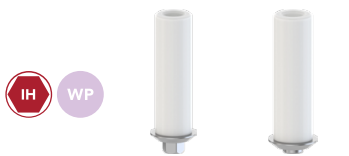
## 02.04 Castable Abutments



Platform	Narrow	
Category	Gold Base	
Type	Engage	Non-Engage
Height	15.0 mm	15.0 mm
SKU	46-70019	46-70021



Platform	Standard	
Category	Gold Base	
Type	Engage	Non-Engage
Height	15.0 mm	15.0 mm
SKU	46-70020	46-70022



Platform	Wide	
Category	Gold Base	
Type	Engage	Non-Engage
Height	15.0 mm	15.0 mm
SKU	46-70041	46-70042

## 02.05 Impression Copings and Analogs

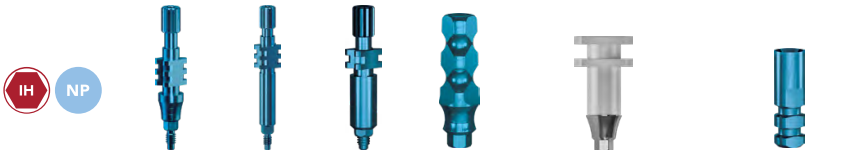
Surgery

Prosthetics


Instruments

Accessories

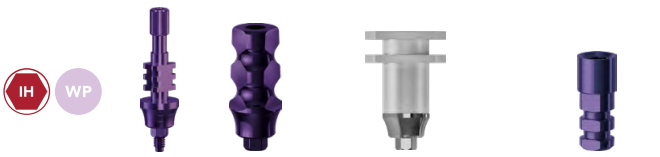
Index



Platform	Narrow					Narrow
Category	Impression Coping					Implant Analog
Type	Open	Open, Slim, Tall	Open, Slim	Closed	Plastic Snap-On, Closed with Abutment	
Diameter	Ø4.0					
SKU	56-70016	56-70046	56-70033	56-70017	56-70035	56-70015



Platform	Standard									Standard	
Category	Impression Coping									Implant Analog	
Type	Open	Open	Open, Slim, Tall	Open, Slim	Open, Short	Closed	Closed	Closed	Plastic Snap-On, Closed with Abutment	5 Pack Plastic Snap-On, Closed	
Diameter	Ø4.5	Ø6.0	Ø4.5								
Angle						15°	25°				
SKU	56-70005	56-70050	56-70045	56-70032	56-70031	56-70043	56-70044	56-70006	56-70034	56-70062	56-70002



Platform	Wide			Wide
Category	Impression Coping			Implant Analog
Type	Open	Closed	Plastic Snap-On, Closed with Abutment	
Diameter	Ø6.0			
SKU	56-70029	56-70030	56-70036	56-70028

## 02.06 Scan Bodies and DIM Analogs



Platform	Narrow	Narrow
Type	Scan Abutment	DIM Analog
Diameter	Ø4.0	
SKU	30-70102	30-70521



Platform	Standard	Standard
Type	Scan Abutment	DIM Analog
Diameter	Ø4.5	
SKU	30-70101	30-70520



Platform	Wide	Wide
Type	Scan Abutment	DIM Analog
Diameter	Ø6.0	
SKU	30-70106	30-70524

## 02.07 Titanium Straight Abutments

Surgery

Prosthetics

Instruments

Accessories

Index



Category	Concave		
Platform	Narrow		
Diameter	Ø4.0		
Height	8.0 mm		
Cuff	1.0 mm	2.0 mm	3.0 mm
SKU	40-70024	40-70025	40-70026



Category	Anatomic		
Platform	Narrow		
Diameter	Ø4.0		
Height	8.0 mm		
Cuff	1.0 mm	2.0 mm	3.0 mm
SKU	40-70053	40-70054	40-70055



Category	Anatomic Concave		
Platform	Narrow		
Diameter	Ø4.0		
Height	8.0 mm		
Cuff	1.0 mm	2.0 mm	3.0 mm
SKU	40-70056	40-70057	40-70058



Category	Anatomic Concave		
Platform	Narrow		
Diameter	Ø3.5		
Height	8.0 mm		
Cuff	1.0 mm	2.0 mm	3.0 mm
SKU	40-70330	40-70331	40-70332



Category	Concave			
Platform	Standard			
Diameter	Ø4.5			
Height	8.0 mm			
Cuff	1.0 mm	2.0 mm	3.0 mm	4.0 mm
SKU	40-70001	40-70002	40-70003	40-70012



Category	Anatomic		
Platform	Standard		
Diameter	Ø4.5		
Height	8.0 mm		
Cuff	1.0 mm	2.0 mm	3.0 mm
SKU	40-70041	40-70042	40-70043



Category	Anatomic Concave		
Platform	Standard		
Diameter	Ø4.5		
Height	8.0 mm		
Cuff	1.0 mm	2.0 mm	3.0 mm
SKU	40-70044	40-70045	40-70046



Category	Knife Edge	
Platform	Standard	
Diameter	Ø3.8	
Height	8.0 mm	7.0 mm
Cuff	0.0 mm	
SKU	40-70013	40-70115



Category	Concave		
Platform	Standard		
Diameter	Ø5.5		
Height	8.0 mm		
Cuff	1.0 mm	2.0 mm	3.0 mm
SKU	40-70014	40-70015	40-70016



Category				
Platform				
Diameter				
Height				
Cuff				
SKU				



Category	Anatomic			
Platform	Wide			
Diameter	Ø6.5			
Height	8.0 mm			
Cuff	1.0 mm	2.0 mm	3.0 mm	4.0 mm
SKU	40-70124	40-70125	40-70126	40-70127



Category	Anatomic Concave			
Platform	Wide			
Diameter	Ø6.5			
Height	8.0 mm			
Cuff	1.0 mm	2.0 mm	3.0 mm	4.0 mm
SKU	40-70120	40-70121	40-70122	40-70123



## 02.08 Titanium Angulated Abutments



Category	Anatomic		
Platform	Narrow		
Diameter	Ø4.0		
Angle	15°		
Cuff	1.0 mm	2.0 mm	3.0 mm
SKU	40-70027	40-70028	40-70029



Anatomic Concave		
Narrow		
Ø4.0		
15°		
1.0 mm	2.0 mm	3.0 mm
40-70059	40-70060	40-70061



Knife Edge
Narrow
Ø4.0
15°
0 mm
40-70312



Category	Anatomic		
Platform	Narrow		
Diameter	Ø4.0		
Angle	20°		
Cuff	1.0 mm	2.0 mm	3.0 mm
SKU	40-70030	40-70031	40-70032



Anatomic Concave		
Narrow		
Ø4.0		
20°		
1.0 mm	2.0 mm	3.0 mm
40-70062	40-70063	40-70064



Category	Anatomic		
Platform	Standard		
Diameter	Ø4.5		
Angle	15°		
Cuff	1.0 mm	2.0 mm	3.0 mm
SKU	40-70006	40-70007	40-70008



Anatomic Concave			
Standard			
Ø4.5			
15°			
1.0 mm	2.0 mm	3.0 mm	4.0 mm
40-70047	40-70048	40-70049	40-70074



Knife Edge	Knife Edge Slim
Standard	
Ø4.5	
15°	
0 mm	0 mm
40-70004	40-70116



Category	Anatomic		
Platform	Standard		
Diameter	Ø4.5		
Degree	25°		
Cuff	1.0 mm	2.0 mm	3.0 mm
SKU	40-70009	40-70010	40-70011



Anatomic Concave		
Standard		
Ø4.5		
25°		
1.0 mm	2.0 mm	3.0 mm
40-70050	40-70051	40-70052



Knife Edge
Standard
Ø4.5
25°
0 mm
40-70005

Surgery

Prosthetics

Instruments

Accessories

Index

## 02.09 Titanium Base Abutments Round, H4.0 mm

Surgery

Prosthetics

Instruments

Accessories

Index



Platform	Narrow			
Type	Engage			
Diameter	Ø4.3			
Height	4.0 mm			
Cuff	0.5 mm	1.0 mm	2.0 mm	3.0 mm
SKU	40-70215	40-70322	40-70295	40-70217



Platform	Narrow			
Type	Non-Engage			
Diameter	Ø4.3			
Height	4.0 mm			
Cuff	0.5 mm	1.0 mm	2.0 mm	3.0 mm
SKU	40-70216	40-70323	40-70296	40-70218



Platform	Standard			
Type	Engage			
Diameter	Ø4.3			
Height	4.0 mm			
Cuff	0.5 mm	1.0 mm	2.0 mm	3.0 mm
SKU	40-70207	40-70318	40-70291	40-70209




Platform	Standard			
Type	Non-Engage			
Diameter	Ø4.3			
Height	4.0 mm			
Cuff	0.5 mm	1.0 mm	2.0 mm	3.0 mm
SKU	40-70208	40-70319	40-70292	40-70210



Platform	Wide		Wide	
Type	Engage		Non-Engage	
Diameter	Ø5.7		Ø5.7	
Height	4.0 mm	4.0 mm	4.0 mm	4.0 mm
Cuff	0.5 mm	2.0 mm	0.5 mm	2.0 mm
SKU	40-70223	40-70326	40-70224	40-70327


## 02.10 Titanium Base Abutments Round, H6.0 mm

**IH** **NP**




Platform	Narrow			
Type	Engage			
Diameter	Ø4.3			
Height	6.0 mm			
Cuff	0.5 mm	1.0 mm	2.0 mm	3.0 mm
SKU	40-70219	40-70324	40-70297	40-70221

**IH** **NP**




Platform	Narrow			
Type	Non-Engage			
Diameter	Ø4.3			
Height	6.0 mm			
Cuff	0.5 mm	1.0 mm	2.0 mm	3.0 mm
SKU	40-70220	40-70325	40-70298	40-70222

**IH** **SP**



Platform	Standard			
Type	Engage			
Diameter	Ø4.3			
Height	6.0 mm			
Cuff	0.5 mm	1.0 mm	2.0 mm	3.0 mm
SKU	40-70211	40-70320	40-70293	40-70213

**IH** **SP**



Platform	Standard			
Type	Non-Engage			
Diameter	Ø4.3			
Height	6.0 mm			
Cuff	0.5 mm	1.0 mm	2.0 mm	3.0 mm
SKU	40-70212	40-70321	40-70294	40-70214

**IH** **WP**



Platform	Wide		Wide	
Type	Engage		Non-Engage	
Diameter	Ø5.7		Ø5.7	
Height	6.0 mm	6.0 mm	6.0 mm	6.0 mm
Cuff	0.5 mm	2.0 mm	0.5 mm	2.0 mm
SKU	40-70225	40-70328	40-70226	40-70329

## 02.11 Titanium Base Abutments Anterior

Surgery

Prosthetics

Instruments

Accessories

Index



Platform	Narrow		
Type	Anterior		
Engage	Engage		
Diameter	Ø4.25		
Height	6.0 mm		
Cuff	0.5 mm	2.0 mm	3.0 mm
SKU	40-70302	40-70303	40-70304



Platform	Standard		
Type	Anterior		
Engage	Engage		
Diameter	Ø4.25		
Height	6.0 mm		
Cuff	0.5 mm	2.0 mm	3.0 mm
SKU	40-70299	40-70300	40-70301

## 02.12 Angulation Correction System (ACS)



Platform	Narrow			
Type	Angulation Correction (ACS)			
Engage	Engage		Non-Engage	
Diameter	Ø4.25			
Height	4.0 mm			
Cuff	1.0 mm	3.0 mm	1.0 mm	3.0 mm
SKU	40-70231	40-70233	40-70232	40-70234



Platform	Standard			
Type	Angulation Correction (ACS)			
Engage	Engage		Non-Engage	
Diameter	Ø4.3			
Height	4.0 mm			
Cuff	1.0 mm	3.0 mm	1.0 mm	3.0 mm
SKU	40-70227	40-70229	40-70228	40-70230



Platform	Narrow		Standard	
Category	ACS Angulation Correction System			
Type	Driver	Screw	Screw	ACS Key
SKU	60-70152	80-70038	80-70037	60-70153

## 02.13 Snap-on Abutment System (SAS)



Every Pack Includes



Abutment

Impression Coping

PEEK Temporary Cap

Analog



Platform	Narrow	
Diameter	Ø4.5	
Length	5.5 mm	5.5 mm
Height	1.0 mm	2.0 mm
SKU	44-70026	44-70027




Platform	Standard			Standard			Standard
Diameter	Ø4.5			Ø4.5			Ø6.0
Length	4.0 mm	4.0 mm	4.0 mm	5.5 mm	5.5 mm	5.5 mm	5.5 mm
Height	1.0 mm	2.0 mm	3.0 mm	1.0 mm	2.0 mm	3.0 mm	2.0 mm
SKU	44-70001	44-70002	44-70003	44-70006	44-70007	44-70008	44-70017




Platform	Wide	
Diameter	Ø6.0	
Length	5.5 mm	5.5 mm
Height	1.0 mm	2.0 mm
SKU	44-70044	44-70045

## 02.14 Ball Abutments and Components




IH
NP

Platform	Narrow		
Diameter	Ø2.5		
Cuff	1.0 mm	2.0 mm	3.0 mm
SKU	40-70033	40-70034	40-70035



IH
SP

Platform	Standard			
Diameter	Ø2.5			
Cuff	1.0 mm	2.0 mm	3.0 mm	4.0 mm
SKU	40-70017	40-70018	40-70019	40-70290



IH

Category	Attachment				Metal Case	Analog
Type	Very Elastic	Extra Soft	Soft	Standard		
Qty	4	4	4	4	4	
SKU	40-70131	40-70132	40-70023	40-70065	40-70022	56-70013

Surgery

Prosthetics

Instruments

Accessories

Index

## 02.15 LOCATOR® Abutments

Surgery

Prosthetics

Instruments

Accessories

Index



Platform	Narrow					
Cuff	1.0 mm	2.0 mm	3.0 mm	4.0 mm	5.0 mm	6.0 mm
SKU	40-70088	40-70089	40-70090	40-70091	40-70092	40-70093



Platform	Standard					
Cuff	1.0 mm	2.0 mm	3.0 mm	4.0 mm	5.0 mm	6.0 mm
SKU	40-70082	40-70083	40-70084	40-70085	40-70086	40-70087




Category	Dental Cap with Processing Males					
Type	Denture Cap	Processing Male	Regular	Light	Extra-Light	Block Out
Qty	2	2	2	2	2	2
SKU	LOC-8519-2					




Category	Dental Cap with Processing Males					
Type	Denture Cap	Processing Male	Regular	Light	Extra-Light	Block Out
Qty	10	10	10	10	10	10
SKU	LOC-8519-10					



Category	Dental Cap with Extended Range Processing Males					
Type	Denture Cap	Processing Male	Extra-Light	Light	Regular	Block Out
Qty	2	2	2	2	2	2
SKU	LOC-8540-2					





Category	Dental Cap with Extended Range Processing Males					
Type	Denture Cap	Processing Male	Extra-Light	Light	Regular	Block Out
Qty	10	10	10	10	10	10
SKU	LOC-8540-10					





Category	Core Tool	Torque Driver	Analog	Impression	Male	Male	Male	Male
Type		15 mm	Female	Coping	Regular	Light	Extra-Light	Extended Range Regular
Qty			4	4	4	4	4	4
SKU	LOC-8393	LOC-8926	LOC-8530	LOC-8505	LOC-8524	LOC-8527	LOC-8529	LOC-8547





## 02.16 Prosthetic Screws and Drivers

Platform	Narrow	Standard/Wide	Narrow/Standard/Wide	Ø1.25 Manual Drivers			Ø1.25 Keys		
Category	Abutment		DIM Analog				Latch		
Type	M1.6	UNF-172	Screw						
Length				9.0 mm	14.0 mm	23.0 mm	15.0 mm	9.0 mm	6.5 mm
SKU	80-70010	80-70002	80-70048	60-70005	60-70006	60-70159	60-70101	60-70102	60-70164

Platform	Narrow			Standard				Wide	
Category	Impression Copings								
Type	Open	Open, Slim	Closed	Open, Slim	Open, Short	Open	Closed	Open	Closed
SKU	80-70008	80-70033	80-70009	80-70032	80-70031	80-70003	80-70004	80-70036	80-70030

Platform		Narrow	Standard	
Category	ACS Angulation Correction System			
Type	Driver	Screw	Screw	ACS Key
SKU	60-70152	80-70038	80-70037	60-70153

Surgery

Prosthetics

Instruments

Accessories

Index

## 02.17 Premium Multi-Unit Abutments (Industry Standard)



Implant Platform	Narrow					Narrow	
Prosthetic Platform	RP					RP	
Type	Straight					17°	
Diameter	Ø5.0					Ø5.0	
Cuff	1.0 mm	2.0 mm	3.0 mm	4.0 mm	5.0 mm	3.0 mm	4.5 mm
SKU	40.413/1	40.413/2	40.413/3	40.413/4	40.413/5	42.413/3	42.413/4



Implant Platform	Standard					Standard			Standard	
Prosthetic Platform	RP					RP			RP	
Type	Straight					17°			30°	
Diameter	Ø5.0					Ø5.0			Ø5.0	
Cuff	1.0 mm	2.0 mm	3.0 mm	4.0 mm	5.0 mm	2.5 mm	3.25 mm	4.0 mm	3.5 mm	4.5 mm
SKU	40.414/1	40.414/2	40.414/3	40.414/4	40.414/5	42.414/2	42.414/3	42.414/4	43.414/3	43.414/4



Implant Platform	Wide				Wide
Prosthetic Platform	RP				RP
Type	Straight				17°
Diameter	Ø6.0				Ø6.0
Cuff	1.0 mm	2.0 mm	3.0 mm	4.0 mm	3.0 mm
SKU	40.415/1	40.415/2	40.415/3	40.415/4	42.415/3



Implant Platform	Wide					Wide		
Prosthetic Platform	WP					WP		
Type	Straight					17°		
Diameter	Ø6.0					Ø6.0		
Cuff		2.0 mm	3.0 mm	4.0 mm	5.0 mm	3.0 mm	4.0 mm	5.0 mm
SKU		40.416/2	40.416/3	40.416/4	40.416/5	42.416/3	42.416/4	42.416/5



Platform				RP	WP	NP	SP/WP
Type	Driver			Driver		Final Screw	
Length	9.0 mm	14.0 mm	23.0 mm				
SKU	60-70005	60-70006	60-70159	DTMURP	DTMUWP	19.264	19.265

## 02.18 Premium Multi-Unit Components (Industry Standard)



Platform	RP	WP	RP	WP	RP	WP
Type	Healing Abutment		Analog		DIM Analog	
Height	4.1 mm	4.7 mm				
SKU	20.413/2	20.416/2	14.107	14.147	14.007H/D	14.047H/D



Platform	RP	RP	WP	WP	RP	WP
Type	Titanium Temporary Abutments				Plastic Castable Abutment	
Height	10.0 mm	15.0 mm	10.0 mm	15.0 mm	10.0 mm	10.0 mm
SKU	24.413	24.414	24.416	24.417	28.413	28.416



Platform	RP	RP	RP	WP	WP	WP
Category	Impression Posts					
Type	Open	Closed	Closed	Open	Closed	Closed
Height		5.0 mm	8.0 mm		5.0 mm	8.0 mm
SKU	17.413	17.107	17.207	17.415	17.150	17.180



Platform	RP	WP	RP	WP	RP	WP
Category	Scan Body		ANGLEBase		TiBase	
Height			4.7 mm	5.0 mm	6.0 mm	6.0 mm
SelectGrip®			4.4 mm	4.6 mm	5.7 mm	5.7 mm
Cuff			0.3 mm	0.3 mm	0.3 mm	0.3 mm
SKU	52.107	52.147	36.107	36.457	15.453/2	15.454/2



Platform	RP			WP		RP	WP	Latch	Latch	
Type	Prosthetic			Torx (ANGLEBase)		Prosthetic	Torx (ANGLEBase)	Driver	Latch	Latch
Length									24.0 mm	30.0 mm
SKU	19.222	19.222-P5	19.219	19.283	19.284	DTMURP	DTMUWP	PHLABBLACK	DT24TB06	DT30TB06

Surgery

Prosthetics

Instruments

Accessories

Index

## 02.19 Premium Scan Bodies and Dim Analogs



Surgery

Prosthetics



Instruments

Accessories



Index


Platform	Narrow	Narrow
Type	Scan Body	DIM Analog
SKU	52.413	14.413

Platform	Standard	Standard
Type	Scan Body	DIM Analog
SKU	52.414	14.414

Platform	Wide	Wide
Diameter		
Type	Scan Body	DIM Analog
SKU	52.415	14.415



Type	Intra-Oral PEEK Scan Abutment Seating Tool
Quantity	2
SKU	DTPEIPEEK-P2

## 02.20 Premium TiBase Abutments

**IH NP**

Platform	Narrow		
Type	Engaging		
SelectGrip®	4.2 mm		
Cuff	1.0 mm	2.0 mm	3.0 mm
SKU	16.413	16.413/2	16.413/3

Platform	Narrow		
Type	Non-Engaging		
SelectGrip®	4.2 mm		
Cuff	1.0 mm	2.0 mm	3.0 mm
SKU	15.413	15.413/2	15.413/3

**IH SP**

Platform	Standard		
Type	Engaging		
SelectGrip®	4.2 mm		
Cuff	1.0 mm	2.0 mm	3.0 mm
SKU	16.414	16.414/2	16.414/3

Platform	Standard		
Type	Non-Engaging		
SelectGrip®	4.2 mm		
Cuff	1.0 mm	2.0 mm	3.0 mm
SKU	15.414	15.414/2	15.414/3

**IH WP**

Platform	Wide		
Type	Engaging		
SelectGrip®	4.2 mm		
Cuff	1.0 mm	2.0 mm	3.0 mm
SKU	16.415	16.415/2	16.415/3

Platform	Wide		
Type	Non-Engaging		
SelectGrip®	4.2 mm		
Cuff	1.0 mm	2.0 mm	3.0 mm
SKU	15.415	15.415/2	15.415/3

Platform	Driver		
Product	Driver		
Length	9.0 mm	14.0 mm	23.0 mm
Ref	60-70005	60-70006	60-70159

Platform	Narrow	Standard/Wide
Product	Final	Final
Length	Ø1.25	
Ref	19.252	19.253

Surgery

Prosthetics

Instruments

Accessories

Index

## 02.21 ANGLEBase® Abutments

Surgery

Prosthetics

Instruments

Accessories

Index



Platform	Narrow	
Type	Engaging	Non-Engaging
SelectGrip®	3.0 mm	
Cuff	1.0 mm	1.0 mm
SKU	37.413	36.413



Platform	Standard	
Type	Engaging	Non-Engaging
SelectGrip®	3.0 mm	
Cuff	1.0 mm	1.0 mm
SKU	37.414	36.414



Platform	Wide	Wide
Type	Engaging	Non-Engaging
SelectGrip®	3.0 mm	3.0 mm
Cuff	1.0 mm	1.0 mm
SKU	37.415	36.415



Platform		
Type	Latch	
Product	Driver	
Length	24.0 mm	30.0 mm
Ref	DT24TB06	DT30TB06



Platform	Narrow	Standard/Wide
Type	Torx	
Product	Final Screw	Final Screw
Ref	19.201	*19.217

\*Pending FDA Clearance

## 02.22 Premium TiBlanks



Platform	Narrow
Diameter	10.0 mm
SKU	60.413



Platform	Standard
Type	10.0 mm
SKU	60.414



Platform	Wide	
Type	10.0 mm	14.0 mm
SKU	60.415	64.415



Platform			
Product	Driver		
Length	9.0 mm	14.0 mm	23.0 mm
Ref	60-70005	60-70006	60-70159



	Narrow	Standard/Wide
	Final	Final
	Ø1.25	
	19.252	19.253

## 02.23 Titanium Temporary Abutments

Surgery

Prosthetics

Instruments

Accessories

Index



Platform	Conical		
Diameter	Ø4.3		
Type	Engage		
Cuff	0.5 mm	2.0 mm	3.0 mm
Height	10.0 mm	10.0 mm	10.0 mm
SKU	45-72031	45-72034	45-72036



Platform	Conical		
Diameter	Ø4.3		
Type	Non-Engaging		
Cuff	0.5 mm	2.0 mm	3.0 mm
Height	10.0 mm	10.0 mm	10.0 mm
SKU	45-72032	45-72035	45-72037



## 02.24 Titanium Temporary Abutments, Immediate



Platform	Conical		
Diameter	Ø4.3	Ø5.7	
Type	Immediate		
Cuff	1.5 mm	3.0 mm	3.0 mm
Height	10.0 mm	10.0 mm	10.0 mm
SKU	45-72001	45-72003	45-72033



Type	Hex Driver
SKU	60-70244

Surgery

Prosthetics

Instruments

Accessories

Index

Surgery

Prosthetics

Instruments

Accessories


Index


## 02.25 Castable Abutments



Platform	Conical	
Category	Gold Base	
Type	Engage	Non-Engage
Height	15.0 mm	15.0 mm
SKU	46-72001	46-72002

## 02.26 Impression Copings and Implant Analog



								
Platform	Conical							Conical
Category	Impression Copings							Implant Analog
Type	Open	Open, Slim, Tall	Open, Slim	Closed	Open	Closed	Plastic Snap-On, Closed with Abutment	
Diameter	Ø4.5			Ø6.0				
SKU	56-72045	56-72004	56-72046	56-72145	56-72060	56-72160	56-72012	56-72011

Surgery

Prosthetics

Instruments

Accessories

Index

## 02.27 Scan Bodies and DIM Analogs

Surgery

Prosthetics

Instruments

Accessories

Index



Platform	Conical	Conical
Type	Scan Abutment	DIM Analog
Diameter	Ø4.5	
SKU	30-70105	30-70522

## 02.28 Titanium Straight Abutments



Category	Anatomic Concave				
Platform	Conical				
Diameter	Ø4.5				
Height	6.5 mm				
Cuff	1.0 mm	2.0 mm	3.0 mm	4.0 mm	5.0 mm
SKU	40-72041	40-72042	40-72043	40-72044	40-72045

Category	Knife Edge
Platform	Conical
Diameter	Ø3.8
Height	6.5 mm
Cuff	0.0 mm
SKU	40-72010



Category	Anatomic Concave				
Platform	Conical				
Diameter	Ø6.0				
Height	6.5 mm				
Cuff	1.0 mm	2.0 mm	3.0 mm	4.0 mm	5.0 mm
SKU	40-72061	40-72062	40-72063	40-72064	40-72065

## 02.29 Titanium Angulated Abutments

Surgery

Prosthetics

Instruments

Accessories

Index



Category	Anatomic Concave					Knife Edge
Platform	Conical					Conical
Diameter	Ø4.5					Ø4.5
Degree	20°					20°
Cuff	1.0 mm	2.0 mm	3.0 mm	4.0 mm	5.0 mm	0 mm
SKU	40-72241	40-72242	40-72243	40-72244	40-72245	40-72020

## 02.30 Titanium Base Abutments Round, H4.0 mm



Platform	Conical			
Type	Engage			
Diameter	Ø4.3			
Height	4.0 mm			
Cuff	0.5 mm	1.0 mm	2.0 mm	3.0 mm
SKU	40-72046	40-72088	40-72084	40-72048



Platform	Conical			
Type	Non-Engage			
Diameter	Ø4.3			
Height	4.0 mm			
Cuff	0.5 mm	1.0 mm	2.0 mm	3.0 mm
SKU	40-72047	40-72089	40-72085	40-72049

## 02.31 Titanium Base Abutments Round, H6.0 mm

Surgery

Prosthetics



Platform	Conical			
Type	Engage			
Diameter	Ø4.3			
Height	6.0 mm			
Cuff	0.5 mm	1.0 mm	2.0 mm	3.0 mm
SKU	40-72050	40-72090	40-72086	40-72052

Instruments

Accessories



Platform	Conical			
Type	Non-Engage			
Diameter	Ø4.3			
Height	6.0 mm			
Cuff	0.5 mm	1.0 mm	2.0 mm	3.0 mm
SKU	40-72051	40-72091	40-72087	40-72053

Index



## 02.32 Titanium Base Abutments Anterior



Platform	Conical		
Type	Anterior		
Diameter	Ø4.25		
Height	6.0 mm		
Cuff	0.5 mm	2.0 mm	3.0 mm
SKU	40-72081	40-72082	40-72083

## 02.33 Angulation Correction System (ACS)

Surgery  
Prosthetics  
Instruments  
Accessories  
Index



Platform	Conical		Conical	
Type	Angulation Correction (ACS)		Angulation Correction (ACS)	
Engage	Engage		Non-Engage	
Diameter	Ø4.25		Ø4.25	
Height	4.0 mm		4.0 mm	
Cuff	1.0 mm	3.0 mm	1.0 mm	3.0 mm
SKU	40-72054	40-72056	40-72055	40-72057



Platform	Conical		
Category	ACS Angulation Correction System		
Type	Driver	Screw	ACS Key
SKU	60-70152	80-72001	60-70153

## 02.34 Snap-On Abutment System (SAS)



Every Pack Includes



Abutment



Impression Coping



PEEK Temporary Cap



Analog



Platform	Conical			Conical	
Diameter	Ø4.5			Ø6.0	
Length	4.0 mm	4.0 mm	4.0 mm	4.0 mm	4.0 mm
Height	1.0 mm	2.0 mm	3.0 mm	2.0 mm	3.0 mm
SKU	44-72441	44-72442	44-72443	44-72462	44-72463



Platform	Conical			Conical	
Diameter	Ø4.5			Ø6.0	
Length	5.5 mm	5.5 mm	5.5 mm	5.5 mm	5.5 mm
Height	1.0 mm	2.0 mm	3.0 mm	2.0 mm	3.0 mm
SKU	44-72541	44-72542	44-72543	44-72562	44-72563

Surgery

Prosthetics

Instruments

Accessories

Index

## 02.35 Ball Abutments and Components

Surgery

Prosthetics

Instruments

Accessories

Index



Platform	Conical				
Diameter	Ø2.5				
Cuff	1.0 mm	2.0 mm	3.0 mm	4.0 mm	5.0 mm
SKU	40-72001	40-72002	40-72003	40-72004	40-72005



Category	Attachment				Metal Case	
Type	Very Elastic	Extra Soft	Soft	Standard		Analog
Qty	4	4	4	4	4	
SKU	40-70131	40-70132	40-70023	40-70065	40-70022	56-70013

## 02.36 Prosthetic Drivers and Screws



Platform	Conical	Conical			
Category	Abutment	DIM Analog	Drivers		
Type	M1.6	Screw			
Length			9.0 mm	14.0 mm	23.0 mm
SKU	80-72002	80-70048	60-70005	60-70006	60-70159



Platform	Conical	
Category	Impression Coping Screws	
Type	Open	Closed
SKU	80-70012	80-70035



Platform	Conical		
Category	ACS Angulation Correction System		
Type	Driver	Screw	ACS Key
SKU	60-70152	80-72001	60-70153

## 02.37 LOCATOR® Abutments

Surgery

Prosthetics

Instruments

Accessories

Index



Platform	Conical					
Cuff	1.0 mm	2.0 mm	3.0 mm	4.0 mm	5.0 mm	6.0 mm
SKU	40-72011	40-72012	40-72013	40-72014	40-72015	40-72016



Category	Dental Cap with Processing Males					
Type	Denture Cap	Processing Male	Regular	Light	Extra-Light	Block Out
Qty	2	2	2	2	2	2
SKU	LOC-8519-2					



Category	Dental Cap with Processing Males					
Type	Denture Cap	Processing Male	Regular	Light	Extra-Light	Block Out
Qty	10	10	10	10	10	10
SKU	LOC-8519-10					



Category	Dental Cap with Extended Range Processing Males					
Type	Denture Cap	Processing Male	Extra-Light	Light	Regular	Block Out
Qty	2	2	2	2	2	2
SKU	LOC-8540-2					



Category	Dental Cap with Extended Range Processing Males					
Type	Denture Cap	Processing Male	Extra-Light	Light	Regular	Block Out
Qty	10	10	10	10	10	10
SKU	LOC-8540-10					



Category	Core Tool	Torque Driver	Analog	Impression	Male	Male	Male	Male
Type		15 mm	Female	Coping	Regular	Light	Extra-Light	Extended Range Regular
Qty			4	4	4	4	4	4
SKU	LOC-8393	LOC-8926	LOC-8530	LOC-8505	LOC-8524	LOC-8527	LOC-8529	LOC-8547

## 02.38 Premium Multi-Unit Abutments (Industry Standard)



Implant Platform	Conical				
Prosthetic Platform	RP				
Type	Straight				
Diameter	Ø5.0				
Cuff	1.0 mm	2.0 mm	3.0 mm	4.0 mm	5.0 mm
SKU	40.418/1	40.418/2	40.418/3	40.418/4	40.418/5

Implant Platform	Conical	
Prosthetic Platform	RP	
Type	17°	
Diameter	Ø5.0	
Cuff	3.0 mm	4.5 mm
SKU	42.418/3	42.418/4

Implant Platform	Conical	
Prosthetic Platform	RP	
Type	30°	
Diameter	Ø5.0	
Cuff	4.0 mm	5.0 mm
SKU	43.418/4	43.418/5



Implant Platform	Conical				
Prosthetic Platform	WP				
Type	Straight				
Diameter	Ø5.0				
Cuff	1.0 mm	2.0 mm	3.0 mm	4.0 mm	5.0 mm
SKU	40.419/1	40.419/2	40.419/3	40.419/4	40.419/5

Implant Platform	Conical	
Prosthetic Platform	WP	
Type	17°	
Diameter	Ø5.0	
Cuff	3.0 mm	4.5 mm
SKU	42.419/3	42.419/4



Platform	Driver			RP	WP	Conical
Type	Driver			Driver		Final Screw
Length	9.0 mm	14.0 mm	23.0 mm			
SKU	60-70005	60-70006	60-70159	DTMURP	DTMUWP	19.264

Surgery

Prosthetics

Instruments

Accessories

Index

## 02.39 Premium Multi-Unit Components (Industry Standard)

Surgery

Prosthetics

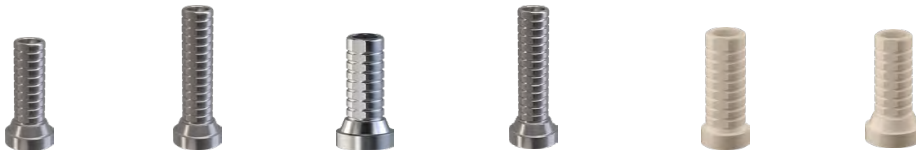
Instruments

Accessories

Index



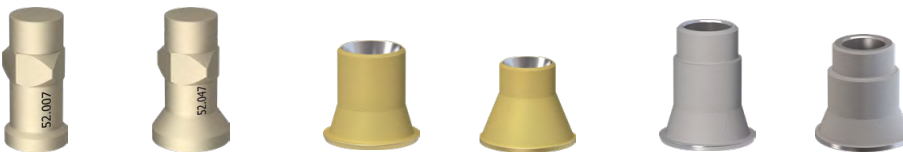
Platform	RP	WP	RP	WP	RP	WP
Type	Healing Abutment		Analog		DIM Analog	
Height	4.1 mm	4.7 mm				
SKU	20.413/2	20.416/2	14.107	14.147	14.007H/D	14.047H/D



Platform	RP	RP	WP	WP	RP	WP
Type	Titanium Temporary Abutments				Plastic Castable Abutment	
Height	10.0 mm	15.0 mm	10.0 mm	15.0 mm	10.0 mm	10.0 mm
SKU	24.413	24.414	24.416	24.417	28.413	28.416



Platform	RP	RP	RP	WP	WP	WP
Category	Impression Posts					
Type	Open	Closed	Closed	Open	Closed	Closed
Height		5.0 mm	8.0 mm		5.0 mm	8.0 mm
SKU	17.413	17.107	17.207	17.415	17.150	17.180



Platform	RP	WP	RP	WP	RP	WP
Category	Scan Body		ANGLEBase		TiBase	
Height			4.7 mm	5.0 mm	6.0 mm	6.0 mm
SelectGrip®			4.4 mm	4.6 mm	5.7 mm	5.7 mm
Cuff			0.3 mm	0.3 mm	0.3 mm	0.3 mm
SKU	52.107	52.147	36.107	36.457	15.453/2	15.454/2



Platform	RP			WP		RP	WP			
Type	Prosthetic		Torx (ANGLEBase)	Prosthetic	Torx (ANGLEBase)	Driver		Latch	Latch	
Length									24.0 mm	30.0 mm
SKU	19.222	19.222-P5	19.219	19.283	19.284	DTMURP	DTMUWP	PHLABBLACK	DT24TB06	DT30TB06



## 02.40 Premium Scan Bodies and Dim Analogs



Platform	Conical	Conical
Type	Scan Body	DIM Analog
SKU	52.418	14.418



Type	Intra-Oral PEEK Scan Abutment Seating Tool
Quantity	2
SKU	DTPEIPEEK-P2

Surgery

Prosthetics

Instruments

Accessories

Index

## 02.41 Premium TiBase Abutments

Surgery

Prosthetics

Instruments

Accessories

Index



Platform	Conical			Conical		
Type	Engaging			Non-Engaging		
SelectGrip®	4.2 mm			4.2 mm		
Cuff	1.0 mm	2.0 mm	3.0 mm	1.0 mm	2.0 mm	3.0 mm
SKU	16.418	16.418/2	16.418/3	15.418	15.418/2	15.418/3



Platform	Driver			Conical
Product	Driver			Final Screw
Length	9.0 mm	14.0 mm	23.0 mm	Ø1.25
Ref	60-70005	60-70006	60-70159	19.254

## 02.42 ANGLEBase® Abutments



Platform	Conical	
Type	Engaging	Non-Engaging
SelectGrip®	3.0 mm	
Cuff	1.0 mm	1.0 mm
SKU	37.418	36.418



Platform	Conical	
Type	Latch	
Product	Torx	
Length	24.0 mm	30.0 mm
Ref	DT24TB06	DT30TB06
	Final Screw	
	19.201	

Surgery

Prosthetics

Instruments

Accessories

Index

## 02.43 Premium TiBlanks



Platform	Conical	
Diameter	10.0 mm	14.0 mm
SKU	60.418	64.418



Platform	Driver			Conical
Product	Driver			Final Screw
Length	9.0 mm	14.0 mm	23.0 mm	Ø1.25
Ref	60-70005	60-70006	60-70159	19.254

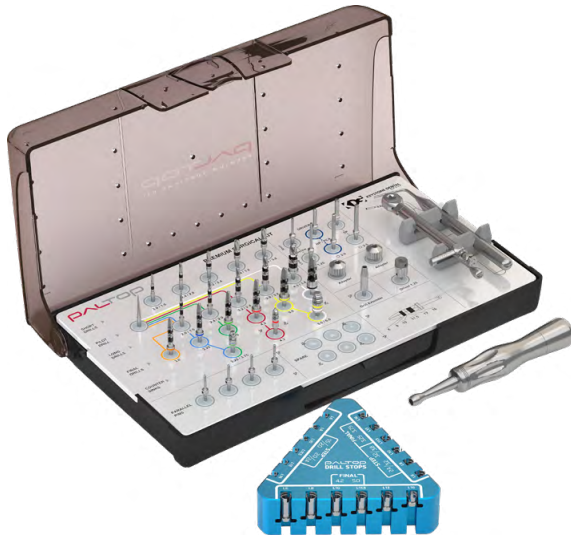


# 03 Instruments

<b>03.01</b>	Premium Surgical Kit	<b>64</b>
<b>03.02</b>	Guided Surgical Kit	<b>65</b>
<b>03.03</b>	Basic Surgical Kit	<b>66</b>
<b>03.04</b>	Surgical Drills and Instruments	<b>67</b>
<b>03.05</b>	Guided Drills and Instruments	<b>68</b>
<b>03.06</b>	Prosthetic Kit	<b>69</b>
<b>03.07</b>	Pilot Guided Drill	<b>70</b>
<b>03.08</b>	Rapid Surgical Kit	<b>71</b>
<b>03.09</b>	Osteotome Kit	<b>72</b>
<b>03.10</b>	Implant Body Try In Kit	<b>73</b>
<b>03.11</b>	Short Step Drill Kit	<b>74</b>
<b>03.12</b>	Parallel Pin Kit	<b>75</b>
<b>03.13</b>	Bone Tap Kit	<b>76</b>
<b>03.14</b>	Countersink Kit	<b>77</b>
<b>03.15</b>	Bone Profiler Post Implant Kit	<b>78</b>
<b>03.16</b>	Wide Implant Drill Kit	<b>79</b>
<b>03.17</b>	Triangular Drill Stop Kit	<b>80</b>
<b>03.18</b>	Additional Tooling	<b>81</b>



## 03.01 Premium Surgical Kit



Catalog #	Description
60-70112	Premium Surgical Kit Includes:
60-70047	Step Drill Ø1.5/2 mm, Short
60-70049	Step Drill Ø2/2.4 mm, Short
60-70051	Step Drill Ø2.4/3.2 mm, Short
60-70053	Step Drill Ø3.2/3.8.0 mm, Short
60-70120	Step Drill Ø3.8/4.3 mm, Short
60-70020	Pilot Drill Spade
60-70048	Step Drill Ø1.5/2 mm, Long
60-70050	Step Drill Ø2/2.4 mm, Long
60-70052	Step Drill Ø2.4/3.2 mm, Long
60-70054	Step Drill Ø3.2/3.8.0 mm, Long
60-70121	Step Drill Ø3.8/4.3 mm, Long
60-70147	Final Drill for Ø3 mm Implant, Long
60-70035	Final Drill for Ø3.25 mm Implant, Long
60-70037	Final Drill for Ø3.75 mm Implant, Long
60-70039	Final Drill for Ø4.2 mm Implant, Long
60-70041	Final Drill for Ø5 mm Implant, Long
60-70098	Final Drill for Ø6 mm Implant, Long
60-70145	Countersink for Ø3.25 mm & Ø3.75 mm Implants
60-70144	Countersink for Ø4.2 mm Implant
60-70143	Countersink for Ø5 mm & Ø6 mm Implants
60-70100	Key Ratchet Adapter
60-70019	Drill Extender
60-70101	Hex Key Ø1.25 mm L 15 mm, Long
60-70105	Hex Key Ø2 mm, Long
60-70103	Hex Key Ø2.5 mm, Long
60-70102	Hex Key Ø1.25 mm L 9 mm, Short
60-70106	Hex Key Ø2 mm, Short
60-70104	Hex Key Ø2.5 mm, Short
60-70015	Parallel Pin Ø1.5/2 mm
60-70006	Manual Hex Driver Ø1.25 mm L 14 mm, Standard
60-70079	Torque Ratchet With Bending beam
60-70073	Drill Depth Probe
60-70230	Triangular Drill Stop Kit
60-70014	Hand Piece Straight
85-70041	Surgical Drilling Protocol

Surgery

Prosthetics

Instruments

Accessories

Index



## 03.02 Fully Guided Surgical Kit



Catalog #	Description
30-70021	Fully Guided Surgical Kit Includes:
30-50324	Contra Angle NSK
30-70616	Digital Guidance Sleeve (DGS) for NSK, Narrow
30-70600	Digital Guidance Sleeve (DGS) for NSK
30-70305	Fully Guided Drill Ø2 mm, Short
60-70140	Tissue Punch Ø4 mm
60-70141	Tissue Punch Ø5 mm
30-70618	Contra Angle Adapter
30-70306	Fully Guided Drill Ø2 mm L 20 mm
30-70307	Fully Guided Drill Ø3.25 mm L 20 mm
30-70308	Fully Guided Drill Ø3.75 mm L 20 mm
30-70309	Fully Guided Drill Ø4.2 mm L 20 mm
30-70310	Fully Guided Drill Ø5 mm L 20 mm
30-70312	Fully Guided Drill Ø2 mm L 25 mm
30-70313	Fully Guided Drill Ø3.25 mm L 25 mm
30-70314	Fully Guided Drill Ø3.75 mm L 25 mm
30-70315	Fully Guided Drill Ø4.2 mm L 25 mm
30-70316	Fully Guided Drill Ø5 mm L 25 mm
30-70318	Fully Guided Drill Ø2 mm L 30 mm
30-70319	Fully Guided Drill Ø3.25 mm L 30 mm
30-70320	Fully Guided Drill Ø3.75 mm L 30 mm
30-70321	Fully Guided Drill Ø4.2 mm L 30 mm
30-70322	Fully Guided Drill Ø5 mm L 30 mm
30-70640	Implant Insertion Key NP + Conical, Narrow, Short
30-70641	Implant Insertion Key NP + Conical, Narrow, Medium
30-70642	Implant Insertion Key NP + Conical, Narrow, Long
30-70622	Implant Insertion Key SP, Narrow, Short
30-70632	Implant Insertion Key SP, Narrow, Medium
30-70602	Implant Insertion Key SP, Narrow
30-70643	Implant Insertion Key NP + Conical, Wide, Short
30-70644	Implant Insertion Key NP + Conical, Wide, Medium
30-70645	Implant Insertion Key NP + Conical, Wide, Long
30-70624	Implant Insertion Key SP, Wide, Short
30-70634	Implant Insertion Key SP, Wide, Medium
30-70604	Implant Insertion Key SP, Wide
60-70006	Manual Hex Driver Ø1.25 mm L 14 mm, Standard
30-70333	Fully Guided Drill for Pin Fixation Ø2 mm L 20 mm
30-70516	Fixation Pin L 20 mm (4 Pack)
60-70079	Torque Ratchet With Bending beam
85-70042	Fully Guided System Quick Start Brochure

Surgery

Prosthetics

Instruments

Accessories

Index

### 03.03 Basic Complete Surgical Kit

Surgery

Prosthetics

Instruments

Accessories

Index



Catalog #	Description
60-70110	Basic Complete Surgical Kit Includes:
60-70020	Pilot Drill Spade
60-70048	Step Drill Ø 1.5/2 mm, Long
60-70050	Step Drill Ø 2/2.4 mm, Long
60-70052	Step Drill Ø 2.4/3.2 mm, Long
60-70054	Step Drill Ø 3.2/3.8 mm, Long
60-70035	Final Drill for Ø 3.25 mm Implant, Long
60-70037	Final Drill for Ø 3.75 mm Implant, Long
60-70039	Final Drill for Ø 4.2 mm Implant, Long
60-70041	Final Drill for Ø 5 mm Implant, Long
60-70100	Key Ratchet Adapter
60-70019	Drill Extender
60-70101	Hex Key Ø 1.25 mm L 15 mm, Long
60-70102	Hex Key Ø 1.25 mm L 9 mm, Short
60-70103	Hex Key Ø 2.5 mm, Long
60-70104	Hex Key Ø 2.5 mm, Short
60-70105	Hex Key Ø 2 mm, Long
60-70106	Hex Key Ø 2 mm, Short
60-70015	Parallel Pin Ø 1.5/2 mm
60-70006	Manual Hex Driver Ø 1.25 mm L 14 mm, Standard
60-70042	Torque Ratchet

### 03.04 Surgical Drills and Instruments



Type	Pilot Drill
Length	
SKU	60-70020



Final Drill	
Ø4.2 for 6mm	Ø5 for 6mm
60-70077	60-70078



Type	Step Drill									
Diameter	Ø1.5/2 mm	Ø2/2.4 mm	Ø2.4/3.2 mm	Ø3.2/3.8 mm	Ø3.8/4.3 mm	Ø1.5/2.0 mm	Ø2/2.4 mm	Ø2.4/3.2 mm	Ø3.2/3.8 mm	Ø3.8/4.3 mm
Length	Short					Long				
SKU	60-70047	60-70049	60-70051	60-70053	60-70120	60-70048	60-70050	60-70052	60-70054	60-70121



Type	Final Drill						Countersink		
Diameter	Ø3.0	Ø3.25	Ø3.75	Ø4.2	Ø5.0	Ø6.0	Ø3.25/3.75 mm	Ø4.2 mm	Ø5.0/6.0 mm
SKU	60-70147	60-70035	60-70037	60-70039	60-70041	60-70098	60-70145	60-70144	60-70143



Type	Hex Key						Key Ratchet Adapter
Diameter	Ø1.25	Ø2	Ø2.5	Ø1.25	Ø2	Ø2.5	
Length	15 mm	15 mm	15 mm	9 mm	9 mm	9 mm	
SKU	60-70101	60-70105	60-70103	60-70102	60-70106	60-70104	60-70100



Type	Ø1.25 Manual Driver
Length	14.0 mm
SKU	60-70006



Type	Torque Ratchet with Bending Beam
Length	
SKU	60-70079



Type	Torque Ratchet
Length	
SKU	60-70042



Type	Handpiece
Length	
SKU	60-70014

Surgery

Prosthetics

Instruments

Accessories

Index

### 03.05 Guided Drills and Instruments

Surgery

Prosthetics

Instruments

Accessories

Index



Type	Pilot Guided Drill					Fully Guided Drill					
Diameter	Ø2	Ø2	Ø3.25	Ø3.75	Ø4.2	Ø5	Ø2	Ø3.25	Ø3.75	Ø4.2	Ø5
Length	20.0 mm					25.0 mm					
SKU	30-70301	30-70306	30-70307	30-70308	30-70309	30-70310	30-70312	30-70313	30-70314	30-70315	30-70316



Type	Fully Guided Drill					Fully Guided Drill	Fixation Pin Drill	Digital Guidance Sleeves	
Diameter	Ø2	Ø3.25	Ø3.75	Ø4.2	Ø5	Ø2	Ø2	Narrow	Standard
Length	30.0 mm					15.0 mm	20.0 mm		
SKU	30-70318	30-70319	30-70320	30-70321	30-70322	30-70305	30-70333	30-70616	30-70600



Category	Implant Insertion Keys											
Diameter	Narrow						Wide					
Platform	Narrow/Conical			Standard			Narrow/Conical			Standard		
Length	Short	Medium	Long	Short	Medium	Long	Short	Medium	Long	Short	Medium	Long
SKU	30-70640	30-70641	30-70642	30-70622	30-70632	30-70602	30-70643	30-70644	30-70645	30-70624	30-70634	30-70604



Type	Guided Sleeves					
Diameter	Narrow			Wide		
Length	20.0 mm	25.0 mm	30.0 mm	20.0 mm	25.0 mm	30.0 mm
SKU	*30-70415	*30-70414	*30-70409	*30-70413	*30-70412	*30-70408



Torque Ratchet with Bending Beam

SKU	60-70079					
-----	----------	--	--	--	--	--



Type	Contra Angle	Manual Driver	Tissue Punches		Contra Angle Adapter	Fixation Pin Sleeve	Fixation Pin - 4 Pack	
Diameter		Ø1.25	Ø4	Ø5			20.0 mm	25.0 mm
Length		14.0 mm						
SKU	30-50324	60-70006	60-70140	60-70141	30-70618	30-70407	30-70516	*30-70505

\*Not included in surgical kits.



## 03.07 Pilot Guided Drill Kit

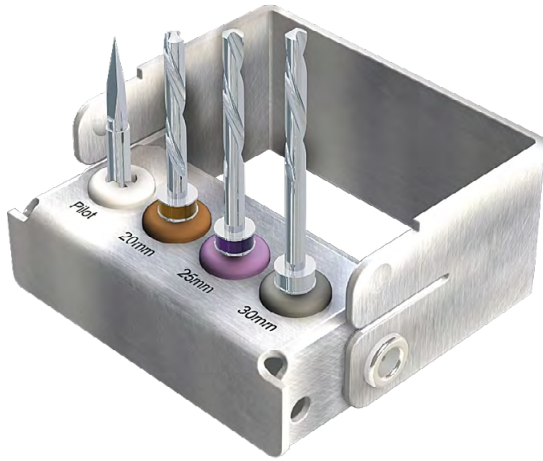
Surgery

Prosthetics

Instruments

Accessories

Index



Type	Pilot Guided Drill Kit
SKU	30-70023

Includes the following:



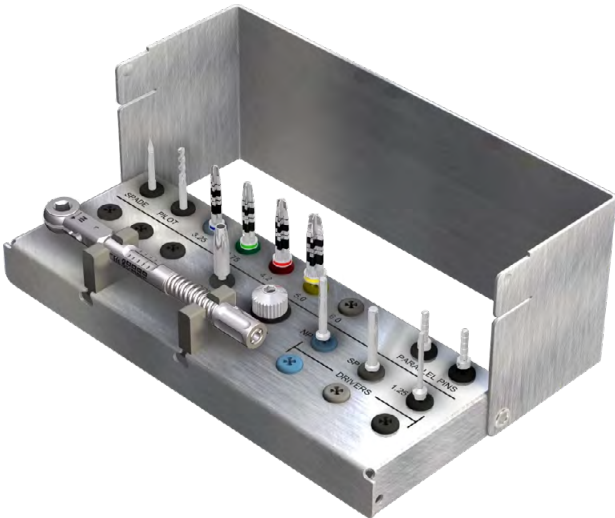
Type	Pilot Guided Drill Spade		Pilot Guided Drill		
Diameter	Ø2		Ø2	Ø2	Ø2
Length		20.0 mm	25.0 mm		30.0 mm
SKU	30-70301	30-70329	30-70330		30-70331



Type	Pilot Guided Sleeves**					
Diameter	Ø2					
Color	Brown	Purple	Silver	Brown	Purple	Silver
Drill Length	20.0 mm	25.0 mm	30.0 mm	20.0 mm	25.0 mm	30.0 mm
Sleeve Length	5.0 mm	5.0 mm	5.0 mm	10.0 mm	10.0 mm	10.0 mm
SKU	30-70405	30-70403	30-70401	30-70406	30-70404	30-70402

\*\*Not included in the Pilot Guided Drill Kit; may be purchased separately.

### 03.08 Rapid Surgical Kit

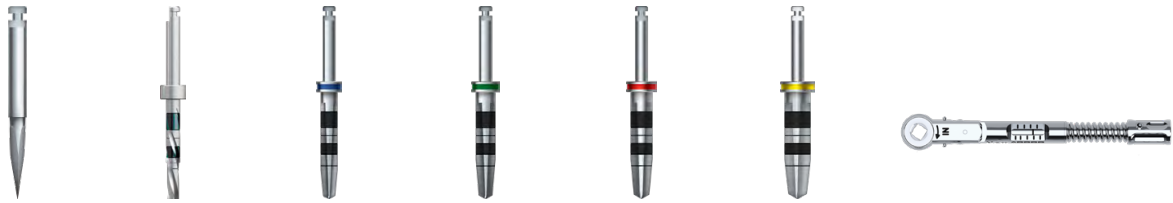


Type	Rapid Surgical Kit
SKU	60-70149

Includes the following:



Type	Hex Key			Key Ratchet Adapter	Parallel Pin	Drill Extender
Diameter	Ø1.25	Ø2.5	Ø2.0		Ø1.5/2.0	
Length	15.0 mm	15.0 mm	15.0 mm			
SKU	60-70101	60-70103	60-70105	60-70100	60-70015	60-70019



Type	Pilot Drill Spade	Step Drill	Final Drills				Torque Ratchet
Diameter		Ø2.0/2.4	Ø3.25	Ø3.75	Ø4.2	Ø5.0	
Length		Long	Long	Long	Long	Long	
SKU	60-70020	60-70050	60-70035	60-70037	60-70039	60-70041	60-70042

Surgery

Prosthetics

Instruments

Accessories

Index

### 03.10 Implant Body Try In Kit



Type	Implant Body Try In Kit
SKU	60-70142

Includes the following:



Type	Final Depth Pin			
Diameter	Ø3.25	Ø3.75	Ø4.2	Ø5
SKU	60-70085	60-70086	60-70087	60-70088



### 03.11 Short Step Drill Kit



Type	Short Step Drill Kit
SKU	60-70150

Includes the following:



Type	Short Step Drill			
Diameter	Ø1.5/2.0 mm	Ø2.0/2.4 mm	Ø2.4/3.2 mm	Ø3.2/3.8 mm
SKU	60-70047	60-70049	60-70051	60-70053

Surgery

Prosthetics

Instruments

Accessories

Index

Surgery

Prosthetics

Instruments

Accessories

Index

### 03.12 Basic Osteotome Kit



Type	Basic Osteotome Kit
SKU	60-70119

Includes the following:



Type	Osteotome			
Diameter	Ø3.25	Ø3.75	Ø4.2	Ø5
SKU	60-70081	60-70082	60-70083	60-70084

### 03.13 Parallel Pin Kit



Type	Parallel Pin Kit
SKU	60-70115

Includes the following:



Type	Final Depth Pin			
Diameter	Ø3.25	Ø3.75	Ø4.2	Ø5
SKU	60-70085	60-70086	60-70087	60-70088



Type	Stepped Depth Pin - 2 Pack			
Diameter	Ø1.5/2.0 mm	Ø2.0/2.4 mm	Ø2.4/3.2 mm	Ø3.2/3.8 mm
SKU	60-70134	60-70135	60-70136	60-70137

Surgery

Prosthetics

Instruments

Accessories

Index

Surgery

Prosthetics

Instruments

Accessories

Index

### 03.14 Bone Tap Kit



Type	Bone Tap Kit
SKU	60-70118

Includes the following:



Note	(Not Available as Individual Parts)			
Type	Bone Tap			
Diameter	Ø3.25	Ø3.75	Ø4.2	Ø5

### 03.15 Countersink Kit



Type	Countersink Kit
SKU	60-70117

Includes the following:



Type	Countersink		
Diameter	Ø3.25/3.75 mm	Ø4.2 mm	Ø5.0/6.0 mm
SKU	60-70145	60-70144	60-70143

Surgery

Prosthetics

Instruments

Accessories

Index

Surgery  
Prosthetics  
Instruments  
Accessories  
Index

## 03.16 Bone Profiler Post Implant Kit



Type	Bone Profiler Post Implant Kit
SKU	60-70116

Includes the following:



Note	Available only as a set			
Type	Bone Profiler	Bone Profiler Pin		
Platform		NP	SP	Conical
Diameter	Ø5.0	Ø5.0	Ø5.0	Ø5.0
SKU	60-70171			



Note	Available only as a set		
Type	Bone Profiler	Bone Profiler Pin	
Platform		SP	Conical
Diameter	Ø6.0	Ø6.0	Ø6.0
SKU	60-70172		

### 03.17 Wide Implant Drill Kit



Type	Wide Implant Drill Kit
SKU	60-70114

Includes the following:



Type	Step Drill		Final Drill	Countersink
Diameter	Ø3.8/4.3	Ø4.3/5.3	Ø6.0	Ø5.0/6.0 mm
SKU	60-70121	60-70123	60-70098	60-70143

Surgery

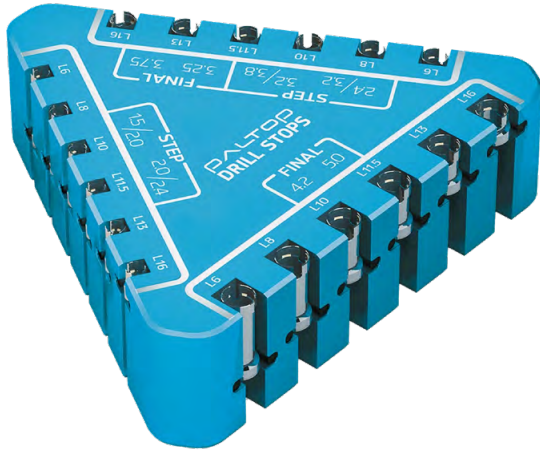
Prosthetics

Instruments

Accessories

Index

# 03.18 Triangular Drill Stop Kit



Type	Triangular Drill Stop Kit
SKU	60-70230

Includes the following:



Type	Step Drill Stop					
Platform	Narrow					
Implant Length	6.0 mm	8.0 mm	10.0 mm	11.5 mm	13.0 mm	16.0 mm
SKU	60-70201	60-70202	60-70203	60-70204	60-70205	60-70206



Type	Step Drill Stop					
Platform	Wide					
Implant Length	6.0 mm	8.0 mm	10.0 mm	11.5 mm	13.0 mm	16.0 mm
SKU	60-70207	60-70208	60-70209	60-70210	60-70211	60-70212



Type	Final Drill Stop					
Platform	Extra Wide					
Implant Length	6.0 mm	8.0 mm	10.0 mm	11.5 mm	13.0 mm	16.0 mm
SKU	60-70213	60-70214	60-70215	60-70216	60-70217	60-70218

Surgery  
Prosthetics  
Instruments  
Accessories  
Index



### 03.19 Additional Tooling



Type	Final Drill						Fully Guided Drill for Pin Fixation
Length	Short						25.0 mm
Diameter	Ø3.0	Ø3.25	Ø3.75	Ø4.2	Ø5.0	Ø6.0	Ø2.0
SKU	60-70168	60-70034	60-70036	60-70038	60-70040	60-70167	30-70332



Type	Hex Key				Hex Driver for Ratchet		
Diameter	Ø1.25				Ø1.25	Ø2.5	Ø2.0
Length	6.5 mm	15 mm	9 mm	23 mm	Long		
SKU	60-70164	60-70101	60-70102	60-70165	60-70003	60-70009	60-70012



Type	Ø1.25 Manual Driver			Ratchet
Length	9.0 mm	14.0 mm	23.0 mm	
SKU	60-70005	60-70006	60-70159	60-70013



Type	6 Pack - Protective Abutment Apron
SKU	40-70130

Surgery

Prosthetics

Instruments

Accessories

Index

# 04 Accessories

<b>04.01</b>	Implantmed Surgical Motors	<b>84</b>
<b>04.02</b>	Implantmed Classic Motors	<b>85</b>
<b>04.03</b>	Piezomed Surgical Unit	<b>86</b>
<b>04.04</b>	Implantmed Surgical Handpieces	<b>87</b>
<b>04.05</b>	Implantmed Surgical Motor Accessories	<b>88</b>
<b>04.06</b>	Aseptico Motors and Handpieces	<b>89</b>
<b>04.07</b>	NSK Motors and Handpieces	<b>90</b>
<b>04.08</b>	NSK Accessories	<b>91</b>



## 04.01 Implantmed Surgical Motors

Surgery

Prosthetics

Instruments

Accessories

Index



SKU	Description
WH-90000207	SI-1015 Implantmed Motor Unit
WH-90000208	SI-1015 Implantmed Motor Unit, w/ Osstell
WH-90000209	SI-1015 Implantmed Motor Unit, WiFi Footpedal Upgrade
WH-90000210	SI-1015 Implantmed Motor Unit, WiFi Footpedal Upgrade w/ Osstell
WH-90000211	SI-1015 Implantmed Motor Unit, LED+ Motor Upgrade
WH-90000212	SI-1015 Implantmed Motor Unit, LED+ Motor Upgrade w/ Osstell
WH-90000213	SI-1015 Implantmed Motor Unit, Loaded
WH-90000214	SI-1015 Implantmed Motor Unit, Loaded w/ Osstell

# 04.02 Implantmed Classic Motors



SKU	Description
WH-90000270	Implanted Classic + WI-75 E/EM Handpiece non-LED
WH-90000271	Implanted Classic + W5-75 LG Handpiece LED

Surgery

Prosthetics

Instruments

Accessories

Index

## 04.03 Piezomed Surgical Units

Surgery

Prosthetics

Instruments

Accessories

Index



SKU	Description
WH-06985000	Piezomed Handpiece 1.8 m
WH-07004400	Foot Pedal Piezomed
WH-07022500	B6 Tip
WH-07022600	B7 Tip
WH-07159200	Piezomed Handpiece 3.5 m
WH-07173200	Instrument Set Special
WH-07173500	Instrument Kit EX
WH-07997090	Instrument Kit Crestal A
WH-30078000	Piezomed SA-320 1.8 m
WH-30078001	Piezomed SA-320 3.5 m

## 04.04 Implantmed Surgical Handpieces



SKU	Description
WH-30032000	WS-75 L G Contra-Angle 20:1 Dismantlable Handpiece with Mini LED + for Implant Surgery (10 - 2,000 rpm)
WH-30033000	WS-75 L 20:1, Contra-Angle (For Implantmed SI-1015 LC motor only)
WH-30058000	S-11 1:1 Straight (For Implantmed SI-1015 LC motor only)
WH-30065000	WS-75 Contra-Angle 20:1 Dismantlable Handpiece for Implant Surgery (10 - 2,000 rpm)

Surgery

Prosthetics

Instruments

Accessories

Index

## 04.05 Implantmed Surgical Motor Accessories

Surgery

Prosthetics

Instruments

Accessories

Index



SKU	Description
WH-00929300	Irrigation Tubing with Luer Lock, Green, 10 Pack
WH-02038200	Spray Cap for Service Oil (reusable replacement)
WH-02139800	Burr Testing Gauge (to check all 2.35 mm & 1.6 mm burrs)
WH-02610500	Irrigation Needle/Cannula (for use with internally irrigated drills)
WH-04013500	Storage Cassette
WH-04019000	Irrigation Tubing Clips, 5 Pack (for use with Implantmed SI-310 motors to hold tubing to motor cable)
WH-04363600	Irrigation Tubing and Spike Assembly, 6 Pack, Disposable (for use with Implantmed series & Elcomed SA-310 motors)
WH-04757100	Irrigation Spray Clip (new series), Left Side, E/KM, Black, 3 Pack
WH-05051000	Irrigation Spray Clip (old series), Black, 3 Pack
WH-06016400	Y-Connector Complete
WH-06946300	Irrigation Spray Clip (new series), Right Side, E/KM, Green, 3 Pack
WH-06946400	Irrigation Spray Clip (new series), Light Side, Green, 3 Pack
WH-06946500	Irrigation Spray Clip (new series), Right Side, Green, 3 Pack
WH-10940020	W&H F-1 Service Oil, 400 ml (special shipping & handling [aerosol can]; contact Customer Service for shipping rates)
WH-30185000	EM-19 Motor, 1.8 m cable, without LED + Port (for Implantmed SI-1015 only)
WH-30210000	Osstell ISQ Module (for Implantmed SI-1015 only)
WH-30264000	S-NW + Wifi Foot Pedal (for Implantmed SI-1015 only)
WH-30264001	S-NW + SPI Wifi Foot Pedal (for Elcomed SA-310 & Implantmed SI-915 white only)
WH-30281000	EM-19 Motor, 1.8 m cable, without LED + Port (for Implantmed SI-1015 only)



## 04.06 Aseptico Motors and Handpieces



Desc	7000 Series Implant Motor w/LED (Max 80 Ncm)	7000 Series Implant Motor non-LED (Max 80 Ncm)	6000 Series Implant Motor (Max 50 Ncm)	1070 Series Implant Motor (Max 70 Ncm)
SKU	ASP-AEU-7000L-70V	ASP-AEU-7000E-70V	ASP-AEU-6000-70V	ASP-AEU-1070-70V



Desc	Aseptico AHP-85MBFO-CX 20:1 Mont Blanc Dental Implant Handpiece with Depth Gauge and Fiber Optics	Aseptico AHP-85MB-X 20:1 Mont Blanc Dental Implant Handpiece (Max 80 Ncm)	Mont Blanc 20:1 Dental Implant Handpiece w/Depth Gauge (Max 80 Ncm)
SKU	ASP-AHP-85MBFO-CX	ASP-AHP-85MB-X	ASP-AHP-85MB-CX

Surgery

Prosthetics

Instruments

Accessories

Index

# 04.07 NSK Motors and Handpieces

Surgery

Prosthetics



Desc	Surgic Pro Complete Set with SG20 Handpiece	Surgic Pro Complete Set with X-SG20L Optic Handpiece
SKU	NSK-Y1001950	NSK-Y1001949

Desc	VarioSurg Complete Sets with LED Handpiece
SKU	NSK-Y1001928

Instruments

Accessories

Index

## 04.08 NSK Accessories

SKU	Description
NSK-Z305350	Wrench VS Tip Variosurg
NSK-Z305106	Rounded Edge Spatula Tip
NSK-Z305105	Edge Spatula Tip
NSK-Z305104	Triple Sided Edge Spatula Tip
NSK-Z221077	CR30 - Variosurge Wrench
NSK-Z217399	Wrench Tip Replacement Varios
NSK-Z1102	SurgicPro Foot Control
NSK-Z1029201	Handpiece Stand Vario SRG
NSK-Y900767	Tubing Holder - 7ps/set
NSK-Y900114	Irrigation Tube 10/set
NSK-Y900113	Irrigation Tube 5/set
NSK-Y900083	Irrigation Tube Holder - 7pcs/set
NSK-Y1001952	Surgic Pro Case
NSK-U370152	Hanger for Solution Bag
NSK-H263018	Spray Nozzle SGS SGA
NSK-E295105	Tube Holder SGL50M
NSK-E1084	VarioSurg-LED-HPSC (Optic HP+Cord)
NSK-E1025	SurgicPro-Motor Only (Non-Optic)
NSK-E1023	SurgicPro-Motor Only (Optic)
NSK-C823752	Y Irrigation Tube (C823752)
NSK-C1068	Ti-Max X-DSG20L
NSK-C1067	Ti-MAX X-DSG20
NSK-20001348	SG-Case
NSK-20001327	Tip Holder
NSK-20001326	VA-SG-Case Sterilization Cassette
NSK-20000512	Cleaning Wire
NSK-20000396	Nozzle Holder X SG20L
NSK-20000357	Nozzle Holder SG20
NSK-10000324	Internal Spray Nozzle
NSK-C1003	X-SG20L
NSK-C1010	S-Max SG20

Surgery

Prosthetics

Instruments

Accessories

Index

Surgery

# 05 Index

Prosthetics

---

05.01	Terms and Conditions	94
-------	----------------------	----

---

Instruments

Accessories

Index



## 05.01 Terms and Conditions

Surgery

Prosthetics

Instruments

Accessories

Index

**TERMS AND CONDITIONS OF SALE.** The following are the terms and conditions by which Keystone Dental, Inc. sells its products. As used herein, the term "Keystone" means Keystone Dental, Inc. and its applicable affiliates; the term "Products" means the Keystone products and services described in this invoice, and "Purchaser" means the person or company purchasing the Products.

**GOVERNING TERMS.** Any purchase and shipment of Products shall be deemed to be on the terms and conditions stated herein. Any and all terms and conditions submitted by Purchaser are hereby rejected.

**TAXES.** The prices set forth herein do not include any sales, use, excise, ad valorem, property or other taxes applicable to the sale, use or delivery of the Products, all of which shall be paid by Purchaser separately or added to the contract price and paid by Purchaser to Keystone.

**PRICES.** The prices set forth for the Products are in United States Dollars. All prices shall be as of the invoice date, regardless of the date the Product is originally ordered from Keystone.

**DELIVERY.** Products sold hereunder shall be delivered F.O.B. shipping point. Purchaser shall assume responsibility for all subsequent delivery or shipping charges.

**ACCEPTANCE.** Purchaser must inspect all Products for defects and/or non-conformity within seven (7) calendar days of delivery. After this period, Purchaser will have accepted such Products.

**PAYMENT.** Payment terms shall be as set forth on the front of the invoice. If payment is late, the maximum statutory interest rate will apply on such late amount. Keystone may, in its sole discretion, suspend shipments of Products until full payment by Purchaser of all past due amounts to Keystone is made.

**RETURN; EXCHANGE.** Purchaser may return any Product within thirty (30) calendar days of the invoice date so long as there is an offsetting (exchange) order of equal or greater value. Purchaser may return any Product after thirty (30) calendar days from the invoice date, but no later than ninety (90) calendar days after the invoice date, so long as there is an offsetting (exchange) order of equal or greater value, provided, however, such returns shall be subject to a 15% re-stocking fee. Keystone will not accept any returns or exchanges after ninety (90) calendar days following the invoice date.

No biomaterial products (bone grafting and membrane) will be accepted for return or exchange. No returns or exchanges will be accepted for Products that (i) were originally sold as part of a kit, pack or set, (ii) were included on the original invoice at no charge, (iii) have less than six (6) months remaining before expiration or (iv) were custom ordered. The Purchaser shall pay all shipping costs associated with the return or exchange of a Product. No Products will be accepted by Keystone for return or exchange without an RMA number given to Purchaser by Keystone Customer Service. Returned Products must be unexpired, unopened and undamaged, returned freight prepaid.

**WARRANTY.** EXCEPT AS EXPRESSLY SET FORTH IN KEYSTONE'S LIFETIME IMPLANT WARRANTY PROGRAM, KEYSTONE DOES NOT MAKE ANY WARRANTY, EXPRESS OR IMPLIED, EXCEPT THAT ITS PRODUCTS SHALL BE FREE FROM DEFECTS IN MATERIAL AND/OR WORKMANSHIP. THIS WARRANTY APPLIES ONLY TO THE ORIGINAL PURCHASER. PURCHASER ASSUMES ALL RISKS AND LIABILITY RESULTING FROM THE USE OF THESE PRODUCTS, WHETHER USED

SEPARATELY OR IN COMBINATION WITH OTHER PRODUCTS. THE WARRANTY DOES NOT APPLY IF THE FAILURE OF THE PRODUCT IS CAUSED BY TRAUMA OR ACCIDENT OR BY THE PATIENT IN WHOM THE IMPLANT WAS INSTALLED OR IF THE PURCHASER IS NOT CURRENT ON ALL OUTSTANDING PAYMENTS TO KEYSTONE AT THE TIME OF SUCH CLAIM. KEYSTONE MAY MODIFY OR TERMINATE ITS WARRANTY PROGRAM AT ANY TIME, HOWEVER ANY CHANGES TO THE WARRANTY PROGRAM WILL NOT AFFECT PRODUCTS ALREADY PURCHASED AT THE TIME OF SUCH CHANGE. PURCHASER'S SOLE REMEDY WITH RESPECT TO CLAIMS RELATED TO KEYSTONE PRODUCTS IS RESTRICTED TO THE WARRANTY POLICY.

**LIMITATION OF LIABILITY.** UNDER NO CIRCUMSTANCES SHALL KEYSTONE OR ANY OF ITS AFFILIATES BE LIABLE FOR BUSINESS INTERRUPTION, LOSS OF PROFITS, SPECIAL, INDIRECT, INCIDENTAL OR CONSEQUENTIAL DAMAGES OF ANY NATURE AND FROM ANY CAUSE WHETHER BASED IN CONTRACT, WARRANTY OR TORT (INCLUDING NEGLIGENCE) OR OTHER LEGAL THEORY, EVEN IF KEYSTONE HAS BEEN ADVISED OF THE POSSIBILITY OF SUCH DAMAGES.

**INTELLECTUAL PROPERTY.** All intellectual property rights in Products sold to Purchaser shall remain the exclusive property of Keystone and its licensors.

**PERSONAL DATA.** It is Purchaser's responsibility to obtain patient's consent to transfer any personal data to Keystone.

**TERMINATION.** Keystone may terminate this or any agreement with Purchaser to purchase its products upon immediate written notice if Purchaser fails to pay any of its debt obligations to Keystone on time.

**FORCE MAJEURE.** Keystone shall not be liable for any loss or damage due to failure or delay arising out of any cause beyond the reasonable control of Keystone. In the event of any failure or delay resulting from such causes, an equitable adjustment of delivery and any other appropriate terms and conditions shall be made. No such failure or delay shall be the basis for an increase in Keystone's obligations, nor any termination by Purchaser.

**VALIDITY.** If any provision of these Terms and Conditions is found to be illegal or unenforceable in any respect, such illegality or unenforceability shall not affect any other provision of these Terms and Conditions, all of which shall remain enforceable in accordance with their terms.

**GENERAL PROVISIONS.** The purchase of the Products and these Terms and Conditions are governed by the laws of the Commonwealth of Massachusetts, without regard to conflicts of law principles. Any dispute, claim or controversy arising out of or in connection with the purchase of the Products shall be resolved by arbitration in Boston, Massachusetts. This document incorporates all oral and written representations between the parties and constitutes the entire agreement and understanding of the parties with respect to the subject matter hereof and supersedes any and all other agreements either oral or written between the parties with respect to such subject matter. No amendment or modification may be made to this document unless in writing and duly executed by an authorized representative of Keystone. Keystone may subcontract, assign or transfer its obligations or rights to a competent third party. Purchaser may not assign or transfer any of its obligations without the consent of Keystone.



# Global Headquarters

154 Middlesex Turnpike  
Burlington, MA, 01803 USA  
Tel: +1 781-328-3490  
Toll-free: 866-902-9272  
[www.KeystoneDental.com](http://www.KeystoneDental.com)

